

GB

We all want to relax and be free of worries on our holidays, that's why Thetford offer only the best products.

From mobile toilet systems, fitted refrigerators and service hatches to toilet fluids and maintenance products.

For that real holiday feeling, you can rely on Thetford.

NL

Natuurlijk wilt u graag zorgeloos op vakantie gaan. Daarom biedt Thetford u alleen de beste producten.

Van mobiele toiletssystemen, inbouwkoelkasten, service-luiken tot toiletvloestoffen en onderhouds-producten.

Voor het echte vakantiegevoel bent u bij ons aan het juiste adres!

DE

Natürlich möchten Sie gerne sorgenfrei in den Urlaub fahren, aus diesem Grunde bietet Ihnen Thetford ausgereifte Produkte von höchster Qualität.

Von mobilen Toilettensystemen über Einbaukühlschränken, Servicetüren bis hin zu Sanitärzusätzen und Pflegeprodukten.

Für ein ungetrübtes Urlaubsgefühl sind Sie bei uns in den besten Händen.

FR

Vous voulez partir l'esprit tranquille en vacances et c'est bien naturel. C'est la raison pour laquelle Thetford ne vous propose exclusivement que les meilleurs produits.

Des systèmes de WC portables aux réfrigérateurs intégrés, des portillons de service aux additifs sanitaires en passant par les produits d'entretien, vous trouverez chez Thetford tout ce qu'il vous faut pour passer de vraies vacances.

EUROPEAN HEADQUARTER

Thetford B.V.
Nijverheidsweg 29
P.O. Box 169
4870 AD Etten-Leur
The Netherlands

T +31 (0)76 5042200
F +31 (0)76 5042300
E info@thetford.eu

UNITED KINGDOM

Thetford Ltd.
Unit 6
Brookfields Way
Manvers
Rotherham
S63 5DL, England
United Kingdom

T +44 (0)844 997 1960
F +44 (0)844 997 1961
E info@thetford.eu

SCANDINAVIA

Representative Office
Scandinavia
Hönekullavägen 13
43544 Mölnlycke
Sverige

T +46 (0)313363580
F +46 (0)31448570
E info@thetford.eu

GERMANY

Thetford GmbH
Schallbruch 14
42781 Haan
Deutschland

T +49 (0) 2129 94250
F +49 (0) 2129 942525
E: info@thetford.eu

FRANCE

Thetford S.A.R.L.
Bâtiment Le Califormie
11, Rue Rosa Luxembourg
CS 40204 Eragny sur Oise
95614 Cergy Pontoise
Cedex
France

T +33 (0)1 30 37 58 23
F +33 (0)1 30 37 97 67
E info@thetford.eu

ITALY

Thetford Italy c/o Tecma s.r.l.
Via Flaminia
Loc. Castel delle Formiche
05030 Otricoli (TR)
Italia

T +39 0744 709071
F +39 0744 719833
E info@thetford.eu

SPAIN AND PORTUGAL

Mercè Grau Solà
Agente para España y Portugal
C/Libertat
103-105 Baixos
08800 Vilanova i la Geltrú
Barcelona
España

T +34 (9) 3815 4389
F +34 (9) 3181 9339
E info@thetford.eu

AUSTRALIA

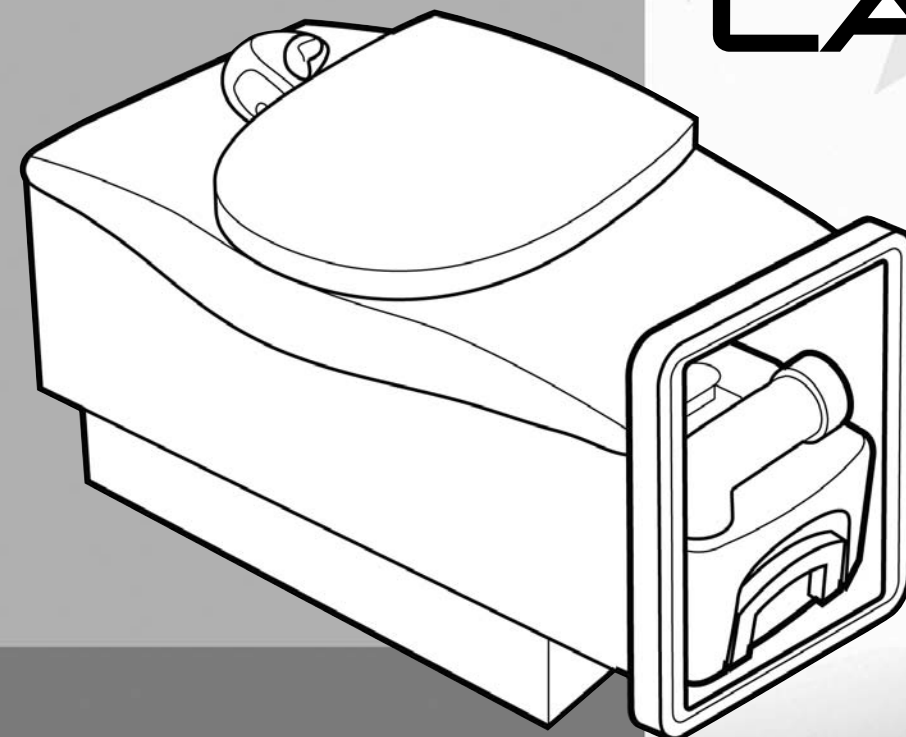
Thetford Australia Pty. Ltd.
41 Lara Way
Campbellfield VIC 3061
Australia

T +61 (0)3 9358 0700
F +61 (0)3 9357 7060
E info@thetford.eu

Thetford is not responsible for printing errors and reserves the right to make changes to product specifications without notice.

www.thetford-europe.com

322201212-V01



THETFORD

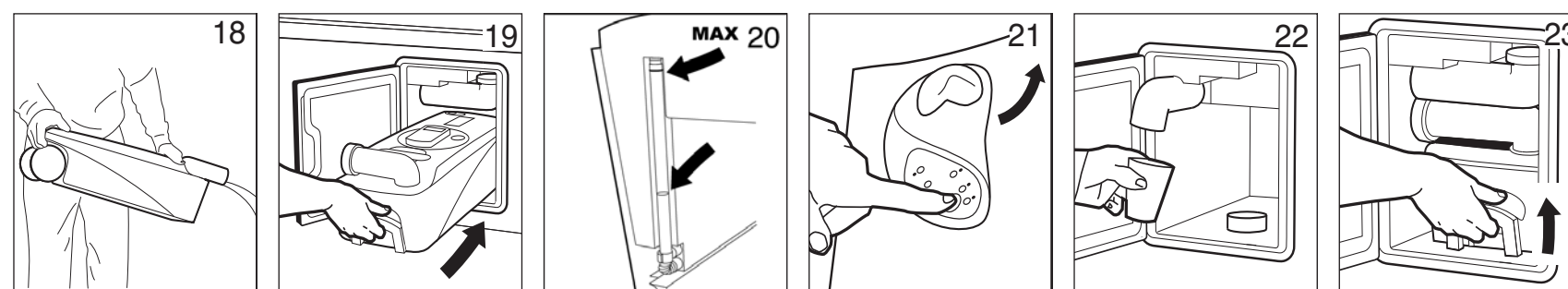
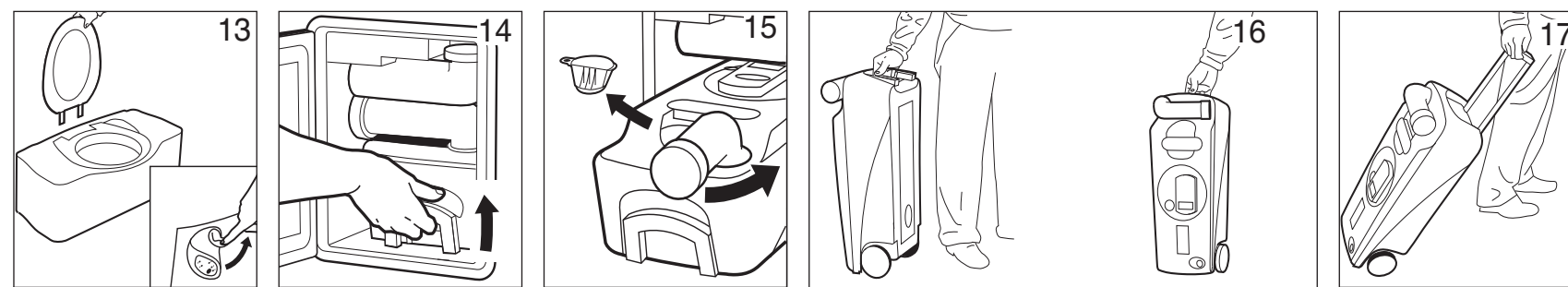
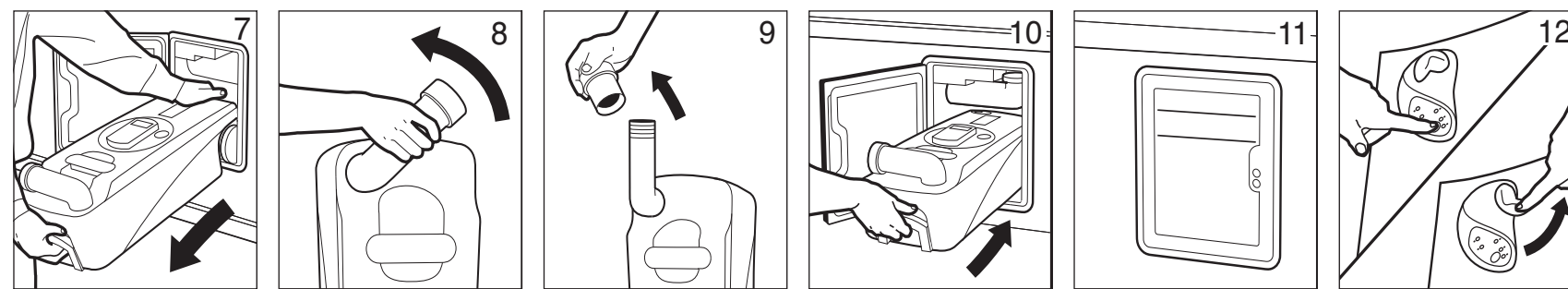
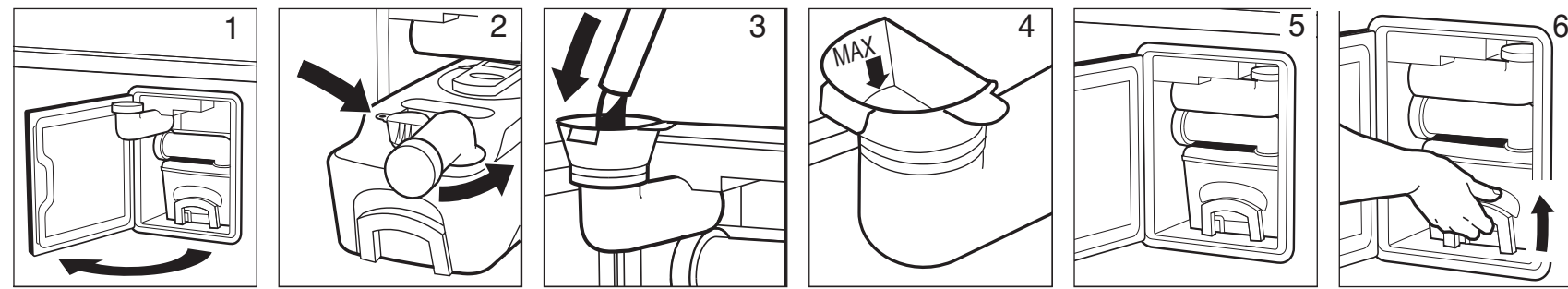
CASSETTE

C-402C / X
C-403L

GB • FR • SE • ES • DK • DE • NL • IT • PT • NO • FI • SI

CASSETTE C-402C / C-402X / C-403L

GB	- Instructions for use	1
FR	- Notice d'utilisation	3
SE	- Bruksanvisning	5
ES	- Instrucciones de manejo	7
DK	- Brugervejledning	9
DE	- Gebrauchsanweisung	11
NL	- Gebruiksaanwijzing	13
IT	- Istruzioni per l'uso	15
PT	- Instruções de utilização	17
NO	- Brukerveiledning	19
FI	- Käyttöohje	21
SI	- Navodila za uporabo	23



THETFORD

Model : _____
 No. : _____
 Code : _____

- Please fill in the model, number and code of your toilet above
- Complétez ci-dessus le modèle, le numéro et le code de votre toilette.
- Fyll här ovan in modell, nummer och kod på din toalett.
- Indique arriba el modelo, número y código de su inodoro.
- Udfyld ovenfor modellen, nummeret og koden på Deres toilet.
- Tragen Sie hierüber das Modell, die Nummer und den Code Ihrer Toilette ein.
- Vul hierboven het model, nummer en de code van uw toilet in.
- Compilare qui sopra il modello, il numero ed il codice della propria toilette.
- Preencha aqui o modelo, número e código da sanita que adquiriu.
- Fyll inn modell, nummer og koden til ditt toalett ovenfor.
- Kirjoita yllä olevaan tilaan käymäläsi malli, numero ja koodi.
- Prosim vnesite model, številko in kodo Vašega stranišča.

Flush water tank contents Contenu du réservoir de chasse Volym spottank Contenido del depósito de agua de lavado Indhold skyllevandstank Inhalt Frischwassertank Inhoud spoelwatertank Volume del serbatoio dell'acqua pulita Capacidade da caixa de descarga de água Innhold ferskvannstanken Huuhteluvesisäiliön sisältö Vsebinsa kotlička	Waste tank contents Contenu du réservoir à matières Volym avfallstank Contenido del depósito de residuos Indhold opsamlingsstank Inhalt Abwassertank Inhoud afvaltank Volume del serbatoio di scarico Capacidade do depósito de dejectos Innhold avfallstanken Jättesäiliön sisältö Vsebinsa posode za fekalije
---	--

15,0 L

19,3 L

THETFORD ADDITIVES:



AQUA KEM BLUE
Toilet fluid for waste-holding tank



AQUA KEM GREEN
Toilet fluid for waste-holding tank with biological action



AQUA KEM SACHETS
Pre-dosed water-soluble sachets for waste-holding tank



AQUA KEM GREEN SACHETS
Pre-dosed water-soluble sachets with biological action for waste-holding tank



AQUA RINSE
Effective toilet fluid for flush-water tank



AQUA SOFT
Quickly dissolving toilet paper



CASSETTE TANK CLEANER
Powerful fluid for periodical cleaning and maintenance of the waste-holding tank



TANK FRESHENER
Fluid for daily care of your vehicle's waste-water tank and pipes



BATHROOM CLEANER
Easy, safe and thorough cleaner for plastic surfaces

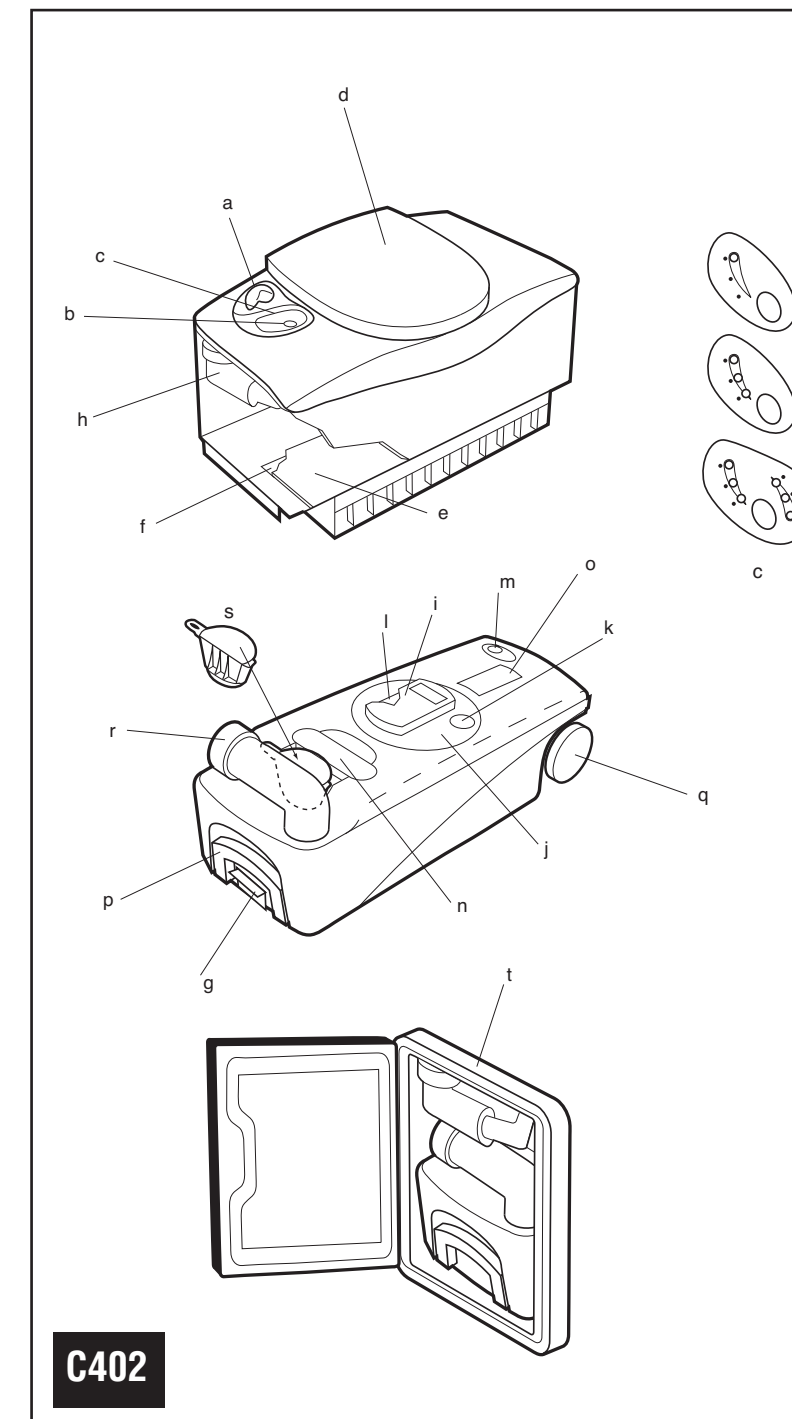


SEAL LUBRICANT
Silicone spray lubricant: Specially developed for use on toilet seals and absolutely safe for plastic. Lubricates and protects plastic and rubber parts

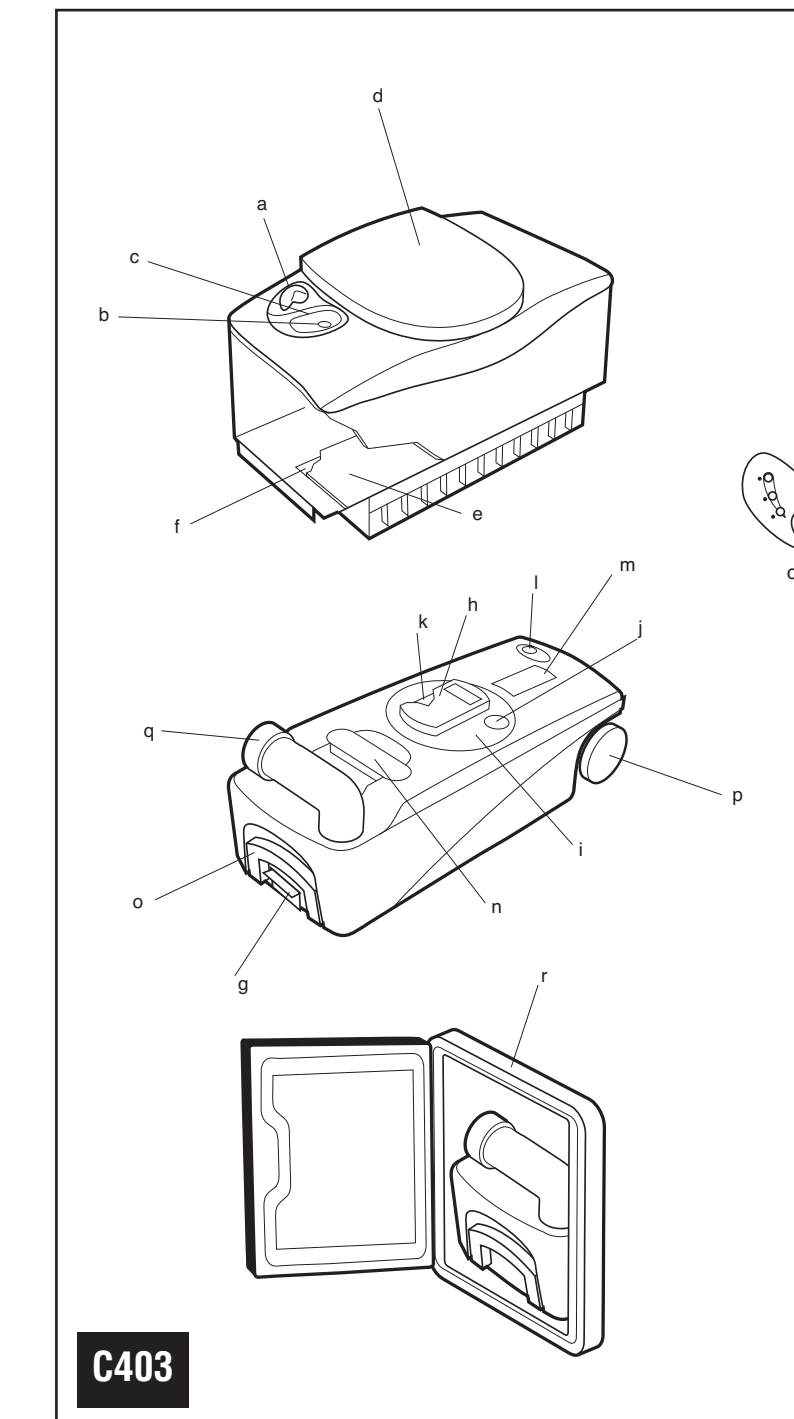


TOILET BOWL CLEANER
Powerful and plastic safe toilet bowl cleaner

For more information about our products, please visit www.thetford-europe.com (for Europe), www.thetford.com (USA/Canada), or www.thetford.com.au (Australia). Product range may vary per country.



C402



C403

GB Instructions for use

These operating instructions cover Thetford cassette toilet models C-402C, C-402X and C-403L. There are a few differences in the use of these models. Make sure that you follow the instructions that apply to your toilet model.

The parts and functions that are referred to by letters are illustrated on the fold-out at the back of these operating instructions.

The actions to be taken, referred to by numbers, are illustrated on the fold-out at the front of these operating instructions.

PARTS AND FUNCTIONS C-402C AND C-402X

- a. Handle: opens and shuts the valve blade.
- b. Flush knob: when this is pressed, an electric pump fills the bowl with water.
- c. Level indicator display: the red LED on the display lights up when the waste tank is full (C-402C and C-402X). When the flush knob is pressed briefly, the display shows the level in the waste tank and the level in the water tank (C-402X).
- d. Removable seat and cover.
- e. Cover plates.
- f. Storage compartment for toilet fluids (only the tall model).
- g. Safety catch: holds the waste tank in place.
- h. Water filling funnel: for easy filling of the water tank.
- i. Cover: guarantees optimal hygiene. Opens when the waste tank is located in the toilet and closes when the waste tank is removed.
- j. Removable mechanism.
- k. Valve blade opener.
- l. Valve blade / valve seal.
- m. Vent plunger: for emptying without splashing.
- n. Upper handle.
- o. Automatic pressure release vent: ventilates the waste tank when this is located in the cassette toilet. Avoids excessive pressure in the waste tank.
- p. Pull-out handle: for easy transport of the waste tank.
- q. Wheels.
- r. Rotating emptying spout: ensures that the waste tank can be easily and hygienically emptied.
- s. Water filling extension.
- t. Access hatch to waste tank and water filling funnel: lockable from the outside of the vehicle.

C-403L PARTS AND FUNCTIONS

- a. Handle: opens and shuts the valve blade.
- b. Flush knob; when pressed a central electric pump in the vehicle pumps water into the bowl.
- c. Level indicator display: the red LED on the display lights up when the waste tank is full. When the flush knob is pressed briefly, the display shows the level in the waste tank.
- d. Removable seat and cover.
- e. Cover plates.

- f. Storage compartment for toilet fluids (only the tall model).
- g. Safety catch: holds the waste tank in place.
- h. Cover: guarantees optimal hygiene. Opens when the waste tank is located in the toilet.
- i. Removable mechanism.
- j. Valve blade opener.
- k. Valve blade / valve seal.
- l. Vent plunger: for emptying without splashing.
- m. Automatic pressure release vent: ventilates the waste tank when this is located in the cassette toilet. Avoids excessive pressure in the waste tank.
- n. Upper handle: for easy emptying.
- o. Pull-out handle: for easy transport of the waste tank.
- p. Wheels.
- q. Rotating emptying spout: ensures that the waste tank can be easily and hygienically emptied.
- r. Access hatch to waste tank: lockable from the outside of the vehicle.

INTRODUCTION

The Thetford cassette toilet is a high quality product. The functional design combines modern styling and ease of use and the toilet forms an integrated part of your caravan or camper bathroom. The Cassette toilet is manufactured from high quality synthetic material. This makes it a durable, user & maintenance friendly toilet.

The toilet is made up of two parts: a permanently fixed part and a waste tank that is accessible from the outside. The removable waste tank is located under the toilet bowl and can be removed via a door on the outside of the caravan or camper.

The Thetford Cassette toilet is the solution to the sanitary problem in your caravan or camper!

PREPARING FOR USE C-402C, C-402X AND C-403L

1. Open the access door on the outside of your caravan or camper.

C-402C AND C-402X

2. Rotate the waste tank emptying spout 90 degrees and remove the water filling extension (you will find it positioned beneath the handle closest to the emptying spout).
3. Rotate the waterfill funnel outwards, remove the cap and place the extension on the waterfill funnel. Add the stated amount of Thetford fresh water additive to the water tank. This ensures a better and cleaner flush and keeps the water in the flush tank fresh.
4. Fill the water tank with clean water. Warning: keep water level below the top of the water filling funnel.
5. Remove the extension and return to its original position on the waste tank.
Note: depending on the space between the door and waste tank, this extension part may also be fixed on the door with a hook. Screw the cap back onto the water filling funnel and push back inwards towards the side of the flush water tank.
Note: 150 ml of water will remain in the waterfill funnel when the water tank is empty.

C-402C, C-402X AND C-403L

6. Remove the waste tank by pulling the safety catch upwards.
7. Pull the waste tank outward to the stop. Tip it slightly and take the tank fully out.
8. Place the tank upright and turn the emptying spout upwards.
9. Remove the cap, with the measuring cup inside, from the emptying spout and pour the stated quantity of toilet fluid into the waste tank. This avoids unpleasant smells in the waste tank and keeps the inside of the waste tank clean. Next add approximately 2 litres of water - enough to ensure that the bottom of the waste tank is covered. Screw the cap back onto the emptying spout. Turn the emptying spout back to its original position.
N.B.: The emptying spout measuring cap is supplied in the same packaging as this manual.
Warning! Never add toilet fluid via the valve blade or via the toilet bowl.
10. Slide the waste tank back into its original position via the access door.
Note! Never use force if you cannot get the tank back into place easily. This may cause serious damage.
11. Make sure that the waste tank is secured with the safety catch. Shut the access door and lock it.

USE C-402C, C-402X AND C-403L

12. Run water into the bowl by pressing the flush knob briefly or open the valve blade by turning the handle anti-clockwise. Your Thetford toilet is now ready for use.
13. After use, open the valve blade (if still closed) by turning the handle anti-clockwise. Flush the toilet by pressing the flush knob for several seconds. **TIP!** The flush of your toilet will be more effective if you pulsate the flush by pressing the flush button several times in a row. Close the valve blade after use.
Note! Do not leave water in the bowl if the toilet is not being used. This does not help to reduce unpleasant smells and only leads to flooding.
Note! To prevent clogging, we recommend using Aqua Soft, Thetford's quickly dissolving toilet paper.

Important Warning Notice! Please do not travel with a flush water tank that is too full (we advise empty, but for sure not filled more than half-full). Do not travel with water in the toilet bowl. Failure to adhere to this notice may result in water damage to your caravan or motor home. Please avoid to travel with a waste-holding tank that is more than 3/4 full. This may cause leakage through the venting system.

EMPTYING

The waste tank has a capacity of 19 litres and must be emptied at the latest when the red light in the level display lights up. The indicator lamp will light up when the waste tank can still take about 2 litres, which is about 3 uses. It is advisable to empty the waste tank earlier.
Note! Do not allow the waste tank to become too full.

C-402C, C-402X AND C-403L

14. Make sure that the valve blade is closed. Open the access door located outside the vehicle. Pull the safety catch upwards and

remove the waste tank.

15. Remove the water filling extension first to avoid it getting lost during emptying of the waste tank.
16. Stand the waste tank upright (Pull-out handle at the top, wheels at the bottom). Press the handle down and move it away from the waste tank until it snaps out of its locked position.
17. Pull the handle up and wheel the waste tank to an authorised waste dump.
18. Push the handle back. Turn the emptying spout upwards and remove the cap from the spout. Hold the waste tank by the upper handle with one hand, while placing your other hand by the rear handle so that during emptying you can operate the vent plunger with your thumb. To empty the tank without splashing, depress the vent plunger while emptying the tank.
After emptying, flush the tank thoroughly with water. Also clean the valve blade with water.
Note! The vent plunger should only be pressed once the emptying spout is pointing downwards!
19. If required make the toilet ready for use once again. Return the water filling extension to its original position on the waste tank. Slide the waste tank into the toilet and close the access door.

STORAGE

It is important that you follow the instructions below if you do not expect to use the Thetford toilet for a long period.

Completely empty the water tank through the drain tube, which also serves as a level indicator. Take the drain tube out of the clamp and carefully pull it downwards from the upper plug. Direct the drain tube out through the access door opening to allow water to flow out. Afterwards, be sure the drain tube is placed back into the clamp first and then pushed back into the upper plug.

C-403L

Drain the central water system of the caravan or camper.

C-402C, C-402X AND C-403L

20. Open the valve blade by turning the handle on the toilet anti-clockwise. Press the blue knob until water stops flowing into the bowl. Close the valve blade.

C-402C AND C-402X

21. Open the access door on the outside of your caravan or camper and turn the water filling funnel outwards. Remove the cap and empty the water filling funnel by turning it a quarter turn anti-clockwise.

C-402C, C-402X AND C-403L

22. Remove the waste tank and empty this at an authorised waste dump. Follow the instructions for cleaning and maintenance.
23. Replace the waste tank and open the valve blade by moving the handle on the toilet to the left.

CLEANING AND MAINTENANCE

The toilet should be cleaned and maintained regularly, depending on the amount of use. To clean Thetford toilets, we advise using water and

Thetford Bathroom Cleaner & Thetford Toilet Bowl Cleaner.

Note. Never use bleach, vinegar or other powerful household cleaners that contain these substances. These may cause permanent damage to the seals and other toilet components.

Toilet Bowl

- Squirt Thetford Toilet Bowl Cleaner into the toilet bowl and use Thetford Bathroom Cleaner for the outside of the toilet. Read the product instructions before use.
- Flush the toilet bowl with water and wipe down the rest of the toilet with a damp cloth.
- Clean seat and cover. The seat and cover can easily be removed: Lift the seat and cover assembly and pull the round pins (inside the assembly) outwards from the pin holes. After cleaning, replace the seat and cover by positioning the round pins in front of the pin holes and push the lid and seat downwards.
- To keep your flush water fresh and to prevent deposits from forming in your toilet bowl, add a correct dosage of Aqua Rinse in your flush-water tank, if present, on your toilet.

Tip! For a really shining toilet, dry with a soft dry cloth after cleaning.

Waste tank

Next to using Thetford's Cassette Tank Cleaner, the powerful cleaning agent for the periodical cleaning of the waste-holding tank of your toilet, we suggest the following:

- Remove the mechanism from the waste tank by turning it anti-clockwise, as shown on the waste tank. Rinse the complete mechanism under a tap.
- Remove the cover plate from the automatic pressure release vent by prising it up using a screwdriver. Use one hand to push the automatic pressure release vent open, while holding the float of the automatic pressure release vent on the inside of the tank with the other hand. Push the float upwards, turn the float a half turn and remove it from below. Remove the rubber seal that is under the float. Rinse the float and rubber seal under a tap. Replace the rubber seal and the float for the automatic pressure release vent in the same way.

The rubber seals in the toilet (the valve blade seal, the mechanism seal, the automatic pressure release vent seal and the cap seal) should be regularly treated with Thetford High Grade Seal Lubricant. This will ensure that the seals remain supple and in good condition. If the toilet is not to be used for any length of time, it is important to treat the seals with Thetford High Grade Seal Lubricant after cleaning.

Note! Never use Vaseline or any vegetable oil except olive oil. These may cause leakage.

N.B. The valve blade seal is a part of the toilet that is subject to wear. Depending on the extent and manner of service, after a certain period the seal will become less effective and must be replaced.

WINTER OPERATION

You can use your Thetford cassette toilet as usual in cold weather, as long as the toilet is situated in a heated location. If this is not the case there is a risk of freezing. In that case we advise that the toilet is drained by following the instructions under 'Storage'.

For environmental reasons the use of antifreeze, such as that used in a car radiator, is not advised.

THETFORD WARRANTY

Thetford B.V. offers the end users of its products a three-year guarantee. In the case of defects within the guarantee period Thetford will replace or repair the product. In this instance, the costs of replacement, labour costs for the replacement of defective components and/or the costs of the parts themselves will be paid by Thetford.

1. To claim under this guarantee, the user must take the product to a Service Centre recognised by Thetford. The claim will be assessed there.
2. Components replaced during repair under guarantee become the property of Thetford.
3. This guarantee does not prejudice current consumer protection law.
4. This guarantee is not valid in the case of products that are for, or are used for, commercial purposes.
5. Guarantee claims falling into one of the following categories will not be honoured:

- the product has been improperly used or the instructions in the manual have not been followed;
- the product has not been installed in accordance with the instructions;
- alterations have been made to the product;
- the product has been repaired by a Service Centre not recognised by Thetford;
- the serial number or product code has been changed;
- the product has been damaged by circumstances outside the normal use of the product.

CUSTOMER SERVICE

Please visit our web site if you require further information or have questions about your toilet, www.thetford-europe.com. The information available includes frequently asked questions, problems and solutions, instructions for repair, tips and a list of Thetford dealers near you. If you still have questions or remarks, please contact the Customer Service Department in your country (see the addresses at the back of this manual).

LIABILITY

Thetford is not liable for loss and/or damage caused directly or indirectly by use of the toilet.